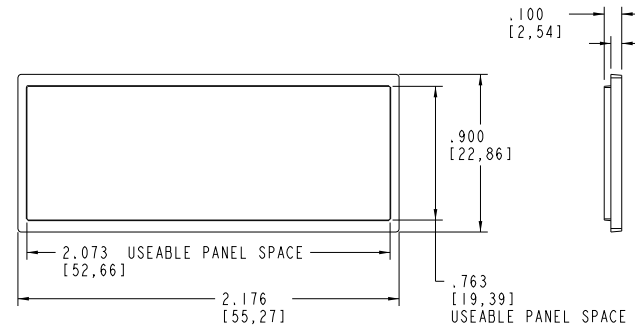
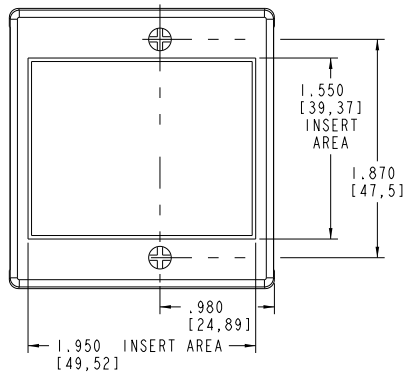
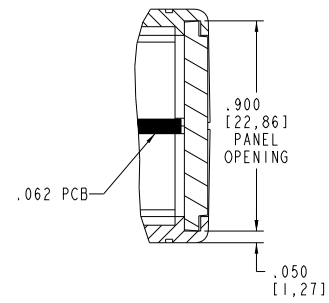
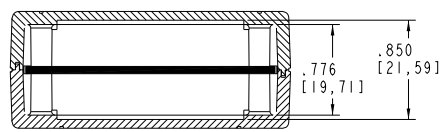
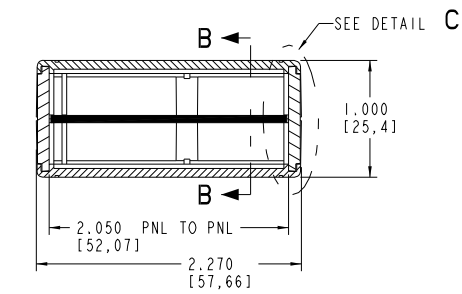
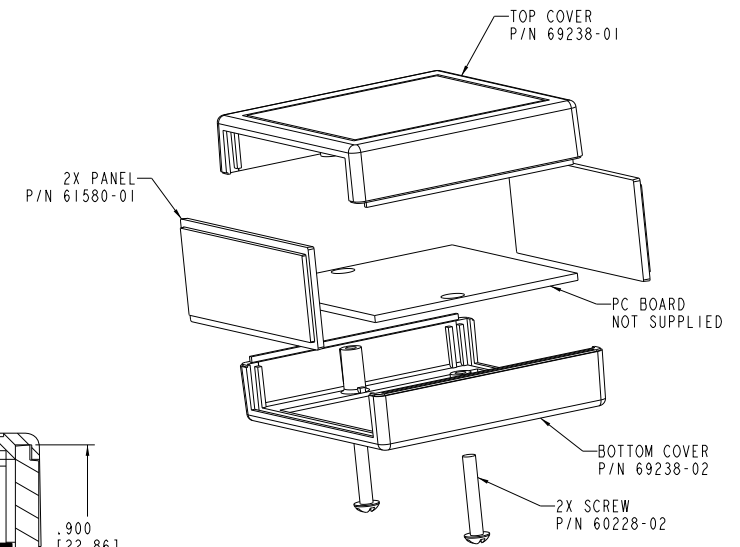


RECOMMENDED PCB SIZE



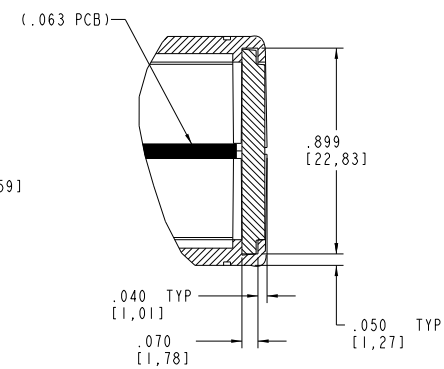
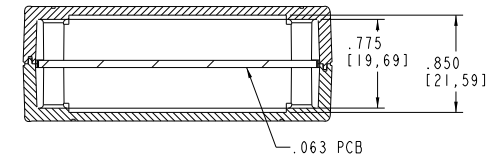
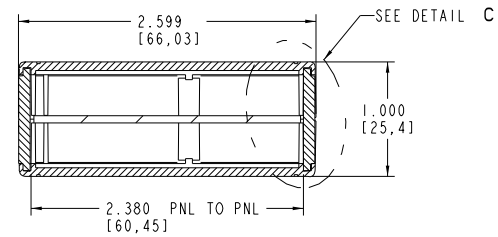
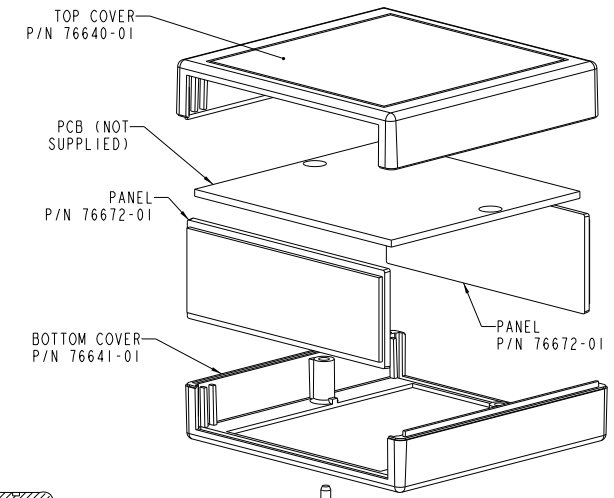
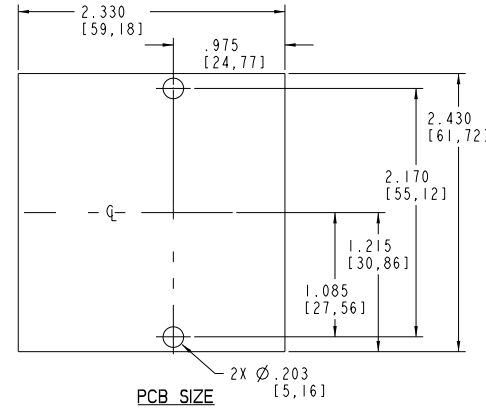
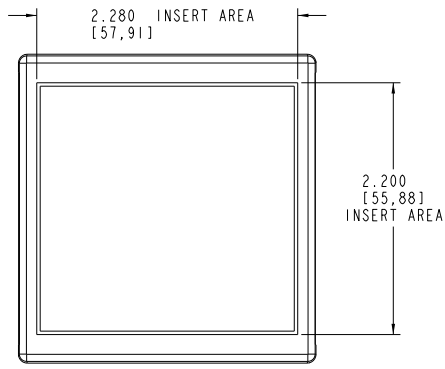
**PACNTEC®**  
1-610-361-4200

**JM-22**

VISIT **PACNTEC®**  
ON THE WORLD WIDE WEB  
[www.pactecenclosures.com](http://www.pactecenclosures.com)

COLOR / MATERIAL CODE		
COLOR	94HB	94VO
BLACK	000	028
P.C.BONE	039	060

DRAWING NUMBER	REV
69261	C

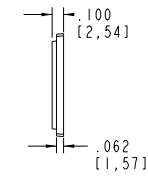
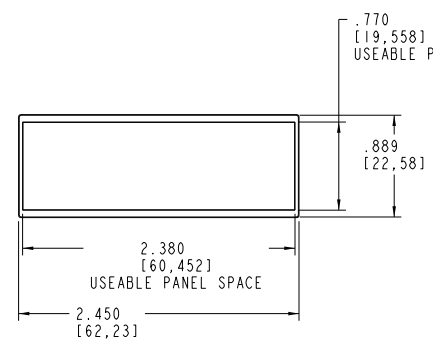
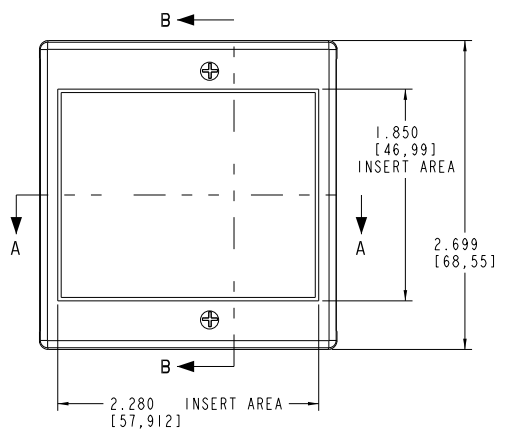


ASSEMBLY SCREWS  
P/N 60228-02  
#2 THD FORM G X .68LG

SECTION A-A

SECTION B-B

DETAIL C  
SCALE 4.000



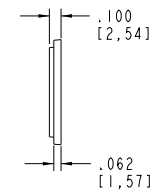
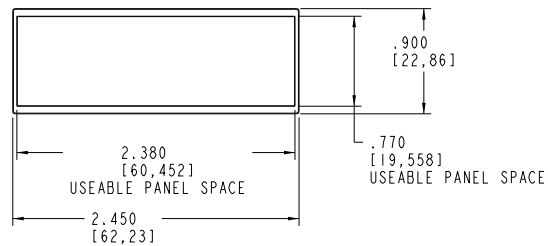
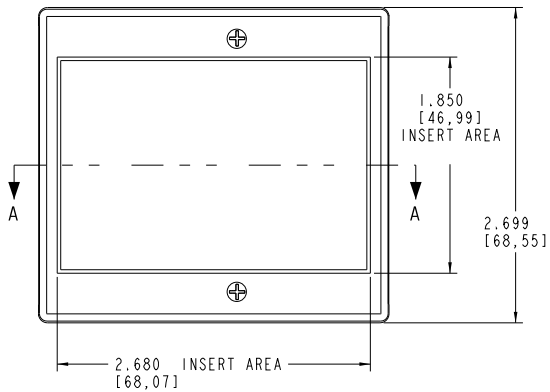
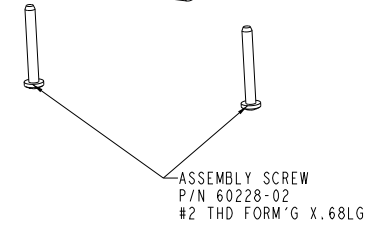
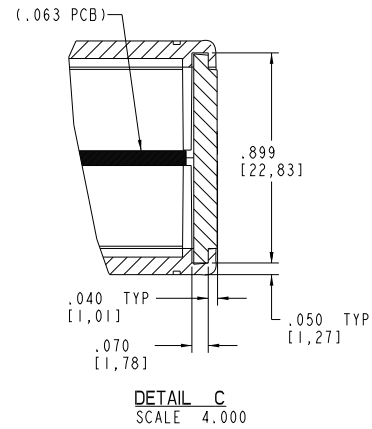
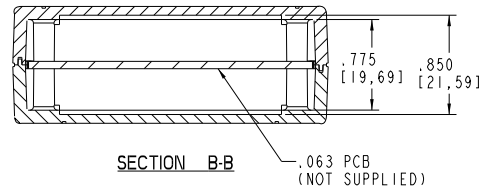
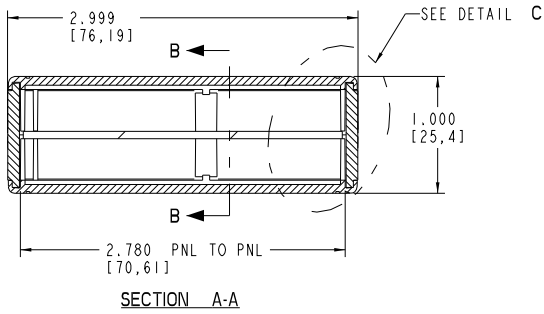
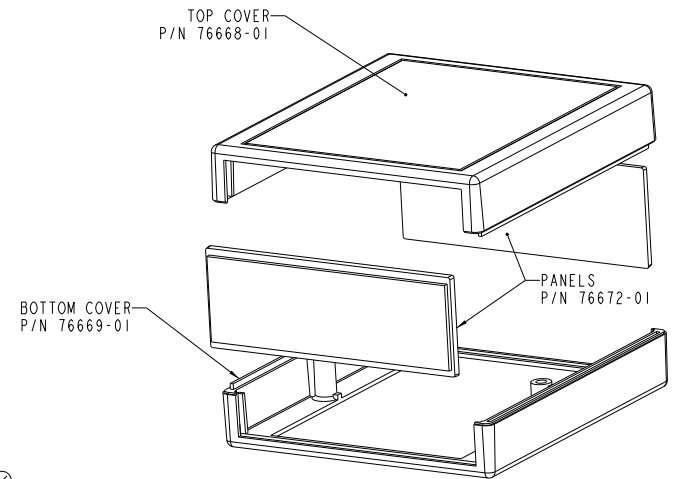
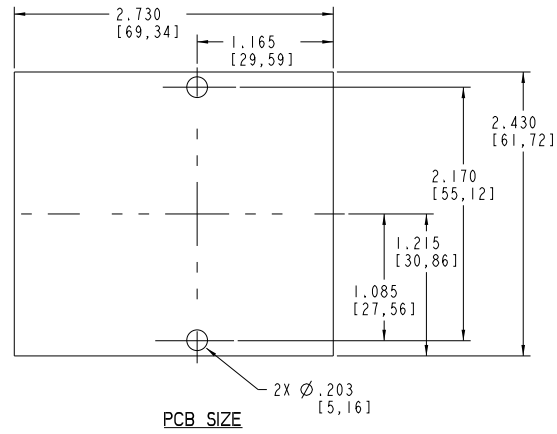
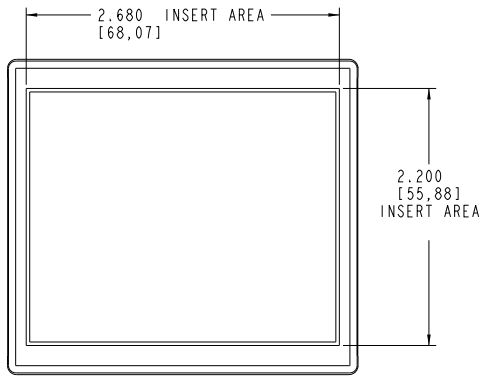
**PACINTEC®**  
1-610-361-4200

**JM25**

VISIT **PACINTEC®**  
ON THE WORLD WIDE WEB  
[www.pactecenclosures.com](http://www.pactecenclosures.com)

COLOR / MATERIAL CODE		
COLOR	94HB	94VO
BLACK	000	028
P.C.BONE	039	060

DRAWING NUMBER	REV
77779	B



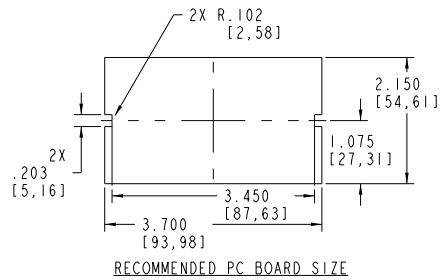
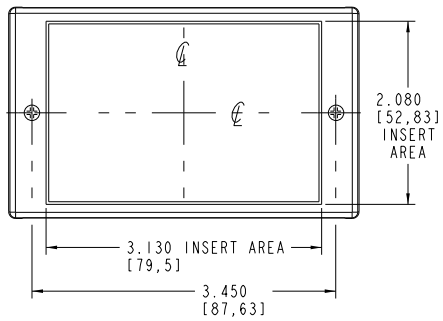
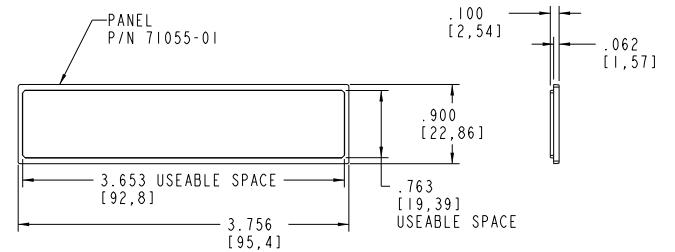
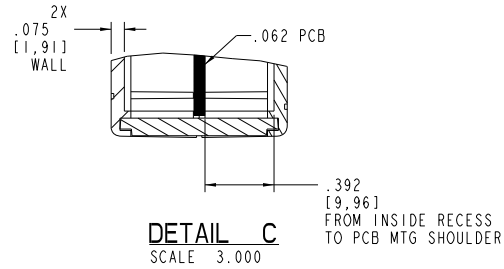
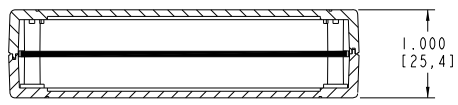
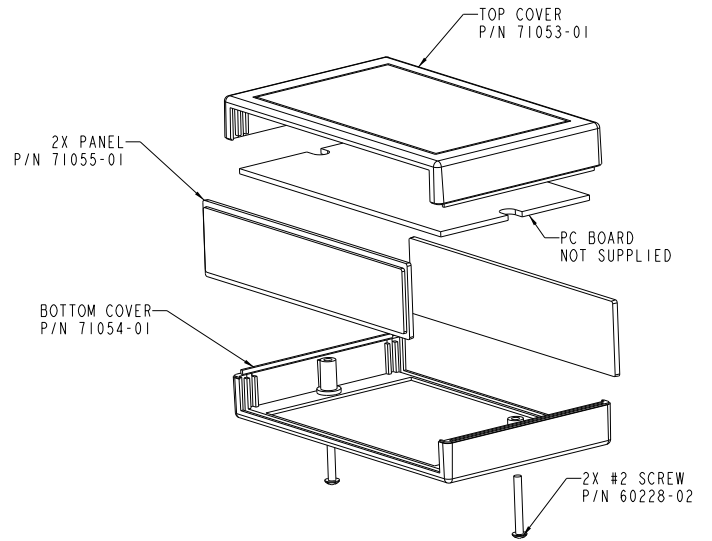
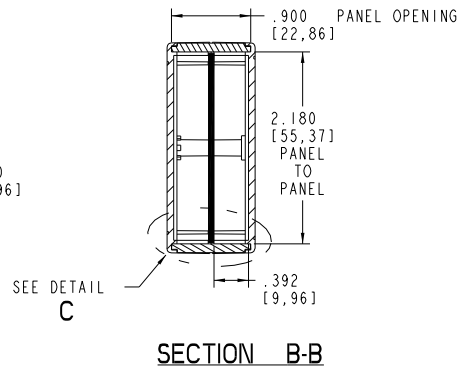
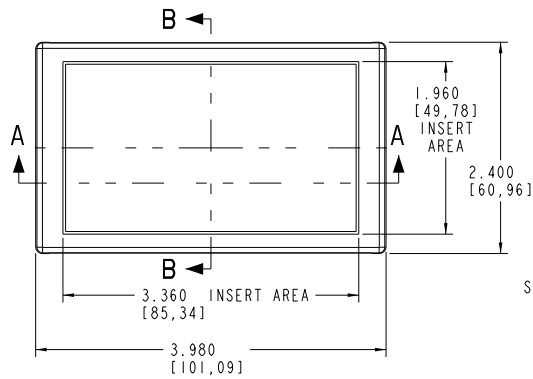
**PACNTEC®**  
1-610-361-4200

**JM33**

VISIT **PACNTEC®**  
ON THE WORLD WIDE WEB  
[www.pactecenclosures.com](http://www.pactecenclosures.com)

COLOR / MATERIAL CODE		
COLOR	94HB	94VO
BLACK	000	028
P.C.BONE	039	060

DRAWING NUMBER	REV
77780	B



**PACINTEC®**  
1-610-361-4200

**JM42**

VISIT **PACINTEC®**  
ON THE WORLD WIDE WEB  
[www.pactecenclosures.com](http://www.pactecenclosures.com)

COLOR / MATERIAL CODE	
COLOR	94HB 94VO
BLACK	000 028
P.C. BONE	039 060

DRAWING NUMBER	REV
71828	B